

UltraPower^{BT} 100Ah

Electrical specifications

Nominal Voltage	12.8V
Nominal Capacity	100Ah
Energy	1280Wh
Internal Resistance @100% SOC	≤20Ω
Cycle Life @1°C 100% DOD	>2000
Efficiency of Charge @0.5°C	100%
Efficiency of Discharge @0.5°C	96-99%
Self-Discharge/Month	<3%
Nominal Voltage	100Ah

Charge specifications

Charge Voltage	14.6±0.2V
Charge Mode	0.2C to 14.6V
Charge Current	50A
Max. Charge Current	100A
Charge Cut-off Voltage	14.6±0.2V

Discharge specifications

Continuous Current	100A
Max. Pulse Current	120A(<3s)
Discharge Cut-off Voltage	8V

Mechanical specifications

Plastic Case	ABS
Approx. Dimensions	330mm x 173mm x 220mm
Approx. Weight	13.60kg
Terminal	M8

Environmental specifications

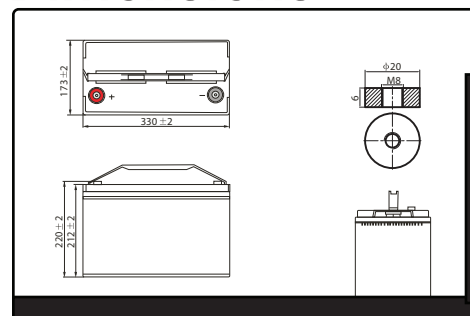
Charge Temperature	0°C to 55°C @ 60°C
Discharge Temperature	-20°C to 60°C @ 60°C
Storage Temperature	-20°C to 35°C @ 60°C



Typical applications

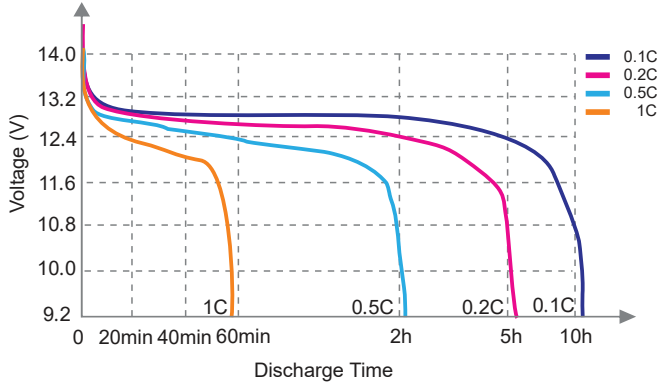
Wheelchairs and Scooters
Solar / Wind energy storage
Backup power for small UPS
Golf trolleys & buggies
Electrical Bikes
Tools

Dimensions

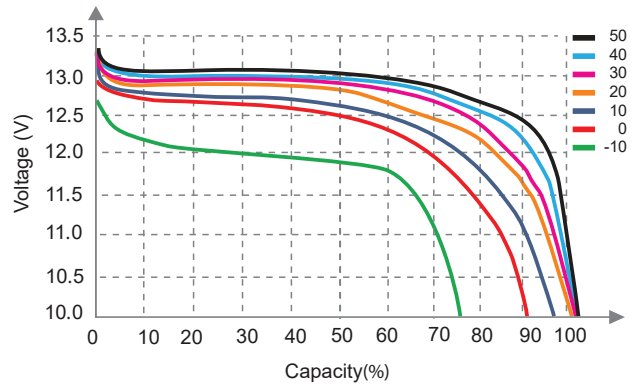


Technical curves

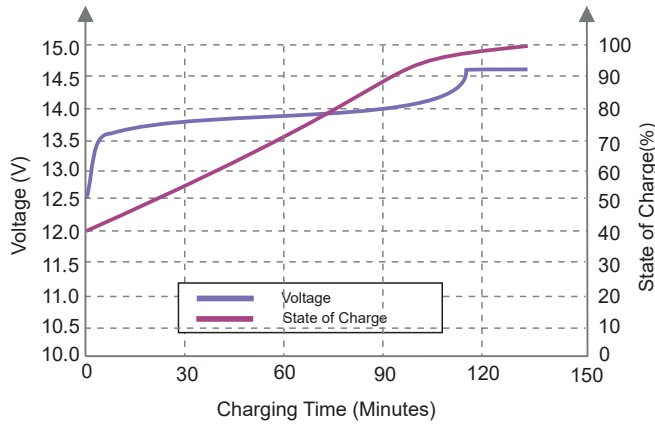
Different Rate Discharge (25°C)



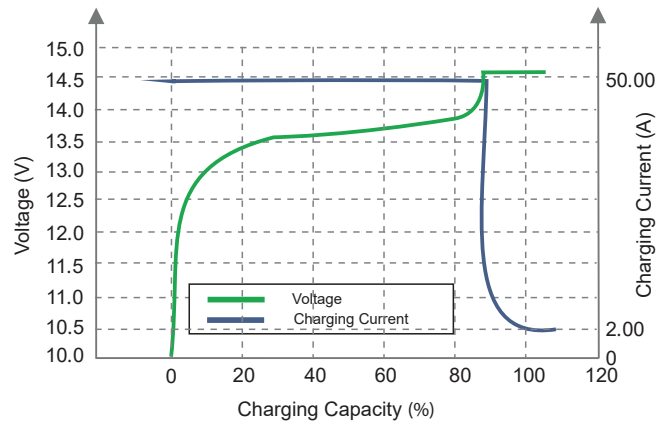
Different Temperature Discharge (0.5°C)



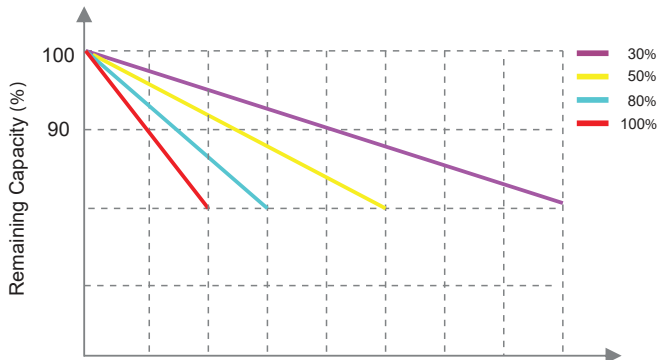
State of Charge (0.5°C, 25°C)



Charging Characteristics (0.5°C, 25°C)



Different DOD Discharge Cycle Life (1°C)



Different Temperature Self Discharge

